

BM8D



- BM8D load cells are available in the capacities 1Klb~20Klb; 0.5t~10t.
- Stainless steel construction, hermetically welded, oil proof, waterproof, anti-corrosive gas and medium making it suitable for all kinds of environments.
- Single shear beam, easy for installation, suitable for electronic platform scales, electronic truck scales and other electronic weighing devices.
- Safe and anti-explosive product, can be used in atrocious environment and hazardous areas.

Features

- Capacity: 1Klb~20Klb; 0.5t~10t
- High accuracy
- Stainless steel construction
- Low profile

Accessories

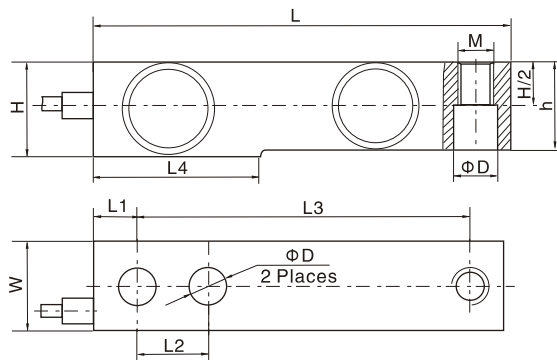
- BJ-8-209 • BJ-8-208 • BJ-8-211
- BJ-8-210 • BJ-8-215 • HJ-8-213
- BJ-8-219 • HJ-8-214 • BJ-8-220

Specifications

Capacity	t Klb	0.5/1/1.5/2/2.5/3/5/7.5/10			
		1/1.5/2/2.5/2.5KSE/3/4/5/5KSE/7.5/10/15/20			
Accuracy		C2	C3	A5M	B10M
Approvals					
Maximum number of verification intervals	n _{max}	2000	3000	5000	10000
Minimum load cell verification interval	v _{min}	E _{max} /5000	E _{max} /10000	E _{max} /15000	E _{max} /10000
Combined error	(%FS)	≤±0.030	≤±0.020	≤±0.026	≤±0.050
Creep	(%FS/30min)	≤±0.024	≤±0.016	≤±0.017	≤±0.040
Temperature effect on sensitivity	(%FS/10°C)	≤±0.017	≤±0.011	≤±0.013	≤±0.040
Temperature effect on zero	(%FS/10°C)	≤±0.023	≤±0.015	≤±0.014	≤±0.020
Output sensitivity	(mv/v)	2.0±0.04		3.0±0.008	
Input resistance	(Ω)	350±3.5			
Output resistance	(Ω)	350±3.5			
Insulation resistance	(MΩ)	≥5000(50VDC)			
Zero balance	(%FS)	1.0			
Temperature, compensated	(°C)	-10~+40			
Temperature, operating	(°C)	-35~+65			
Excitation, recommended	(V)	5~12(DC)			
Excitation, max	(V)	18(DC)			
Safe overload	(%FS)	150			
Ultimate overload	(%FS)	300			

Note: output sensitivity of S1 type is 2.0±0.04

Outline Dimension mm(inch)



Dimension Capacity	W	D	H	h	L	L1	L2	L3	L4	M
1K	30.7	13.5	30.2	24.76(0.98)						
1.5K, 2K	(1.21)	(0.53)	(1.89)	26(1.024)						
2.5K				27(1.06)						
3K-5KSE	31.3	13.5	31.3	29.3(1.15)	130	15.7	25.4	101.6	57.1	1/2-20UNF-2B
0.5t	(1.23)	(0.53)	(1.23)	24.76(0.98)	(5.12)	(0.62)	(1)	(4)	(2.25)	
1t				26(1.024)						M12 × 1.75
1.5t-2t				29.3(1.15)						
2.5KSE	36.8	19.8	36.8	32.8(1.29)	171.5	19.1	38.1	133.3	76.2	3/4-16UNF-2B
5K-15K	(1.45)	(0.779)	(1.45)	34.8(1.37)	(6.75)	(0.748)	(1.5)	(5.25)	(3)	M20 × 2.5
2.5t-5t		20.5(0.81)								
20K	49.5	26.9	49.5	47.5(1.87)	222.2	25.4	50.8	171.5	101.6	1-12UNF-2B
7.5t-10t	(1.95)	(1.06)	(1.95)		(8.75)	(1)	(2)	(6.75)	(4)	M24 × 2

Wiring:

Adopt shielded, 4 conductor cable.
Standard cable length: 6m

